

# LAVATORY FAUCETS

- Victorian® Bath Collection
- Single Handle Deck Mount
- Single or 3 Hole Sink Applications

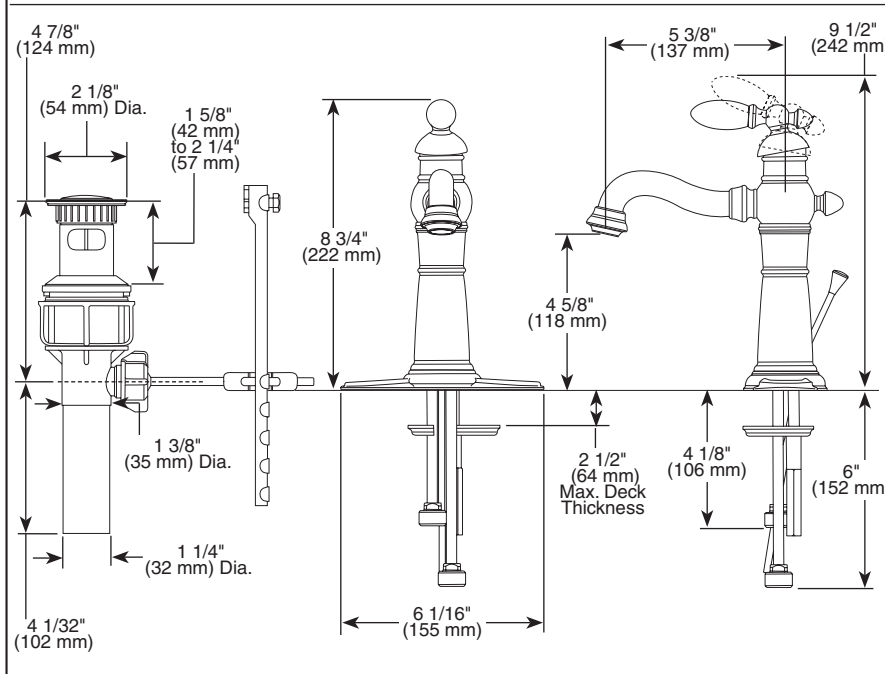
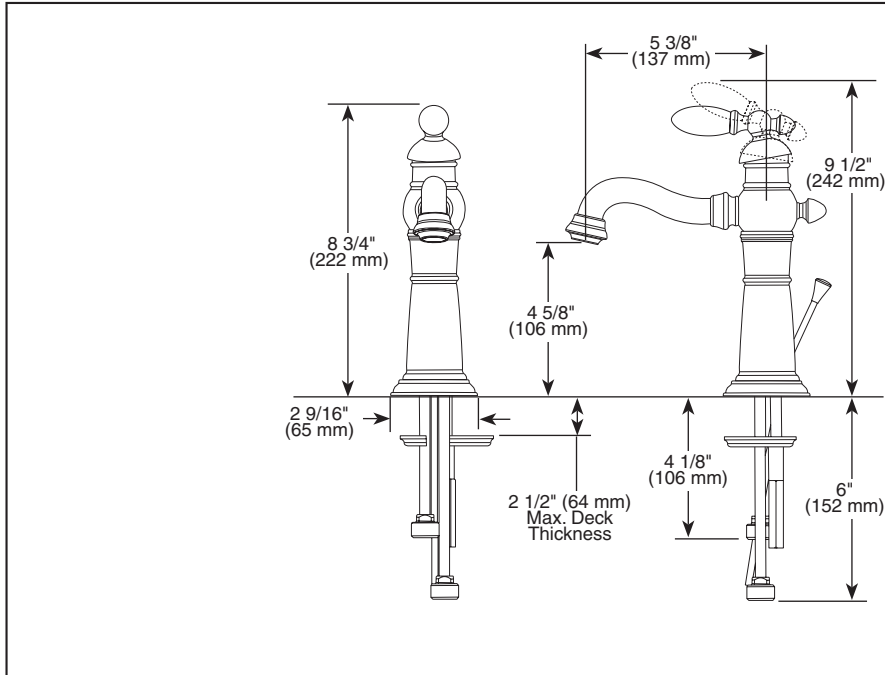
Submitted Model No.: \_\_\_\_\_  
 Specific Features: \_\_\_\_\_

## STANDARD SPECIFICATIONS:

- Solid brass fabricated body.
- Centermount or 4" (102 mm) centers with optional 6 1/16" (155 mm) escutcheon.
- 8 3/4" (222 mm) high, 5 3/8" (137 mm) long, spout.
- Lever handle. Control mechanism is replaceable cartridge with ceramic plates.
- Keyed trim ring and 6 1/16" (155 mm) escutcheon to help alignment and aid installation.
- Models have 3/8" O.D. copper supply tubes with 1/2"-14 NPSM adapters.
- Models have drain with pop-up type fitting with plated flange and stopper.
- Maximum flow rate 1.5 gpm @ 60 PSI.

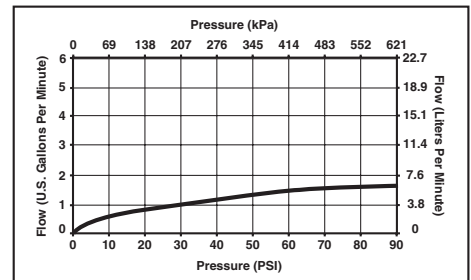
## WARRANTY

- Lifetime Faucet and Finish Limited Warranty to the original consumer purchaser to be free from defects in material and workmanship.
- 5 Year Limited Warranty for usage in all industrial, commercial and business applications.



## COMPLIES WITH:

- ASME A112.18.1 / CSA B125.1
- ASME A112.18.2 / CSA B125.2
- Indicates compliance to ICC/ANSI A117.1
- EPA Water Sense



Delta reserves the right (1) to make changes in specifications and materials, and (2) to change or discontinue models, both without notice or obligation. Dimensions are for reference only. See current full-line price book or www.specselect.com for finish options and product availability.

DSP-L-15955 Rev. B



55 E 111th Street, Indianapolis, Indiana 46280  
 395 Matheson Blvd. E., Mississauga, ON L4Z 2H2  
 © 2008 Masco Corporation of Indiana